

J E T

JPT-260

Planer-thicknesset

10000289M...220/50/1

10000289T...380/50/3

Список деталей

WMH Tool Group AG

Bahnstrasse 24,
CH - 8603 Schwerzenbach

www.wmhtoolgroup.ch

info@wmhtoolgroup.ch

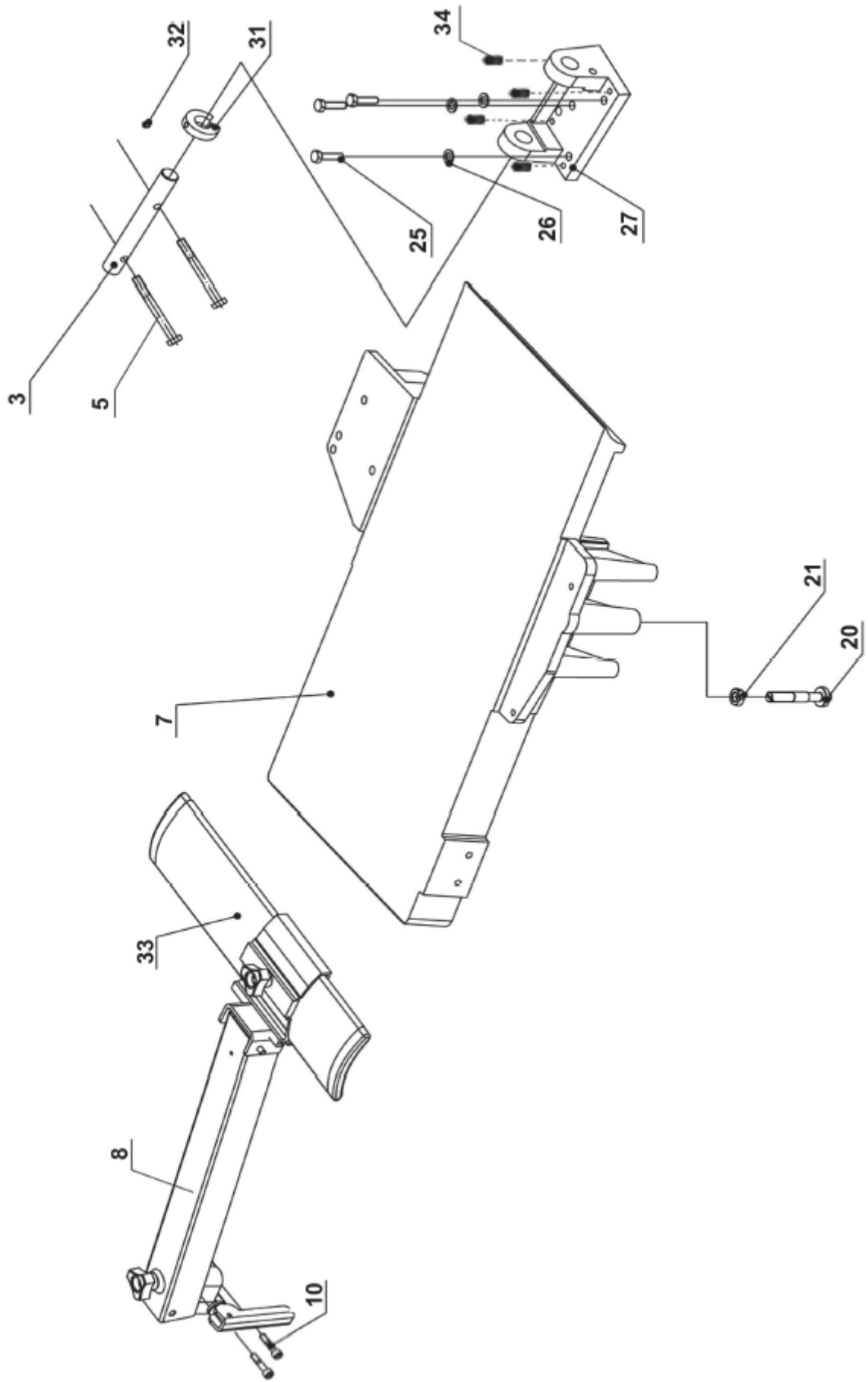
Tel +41 (0)44 806 47 48

Fax +41 (0) 44 806 47 58

P-10000289M/T...09/06



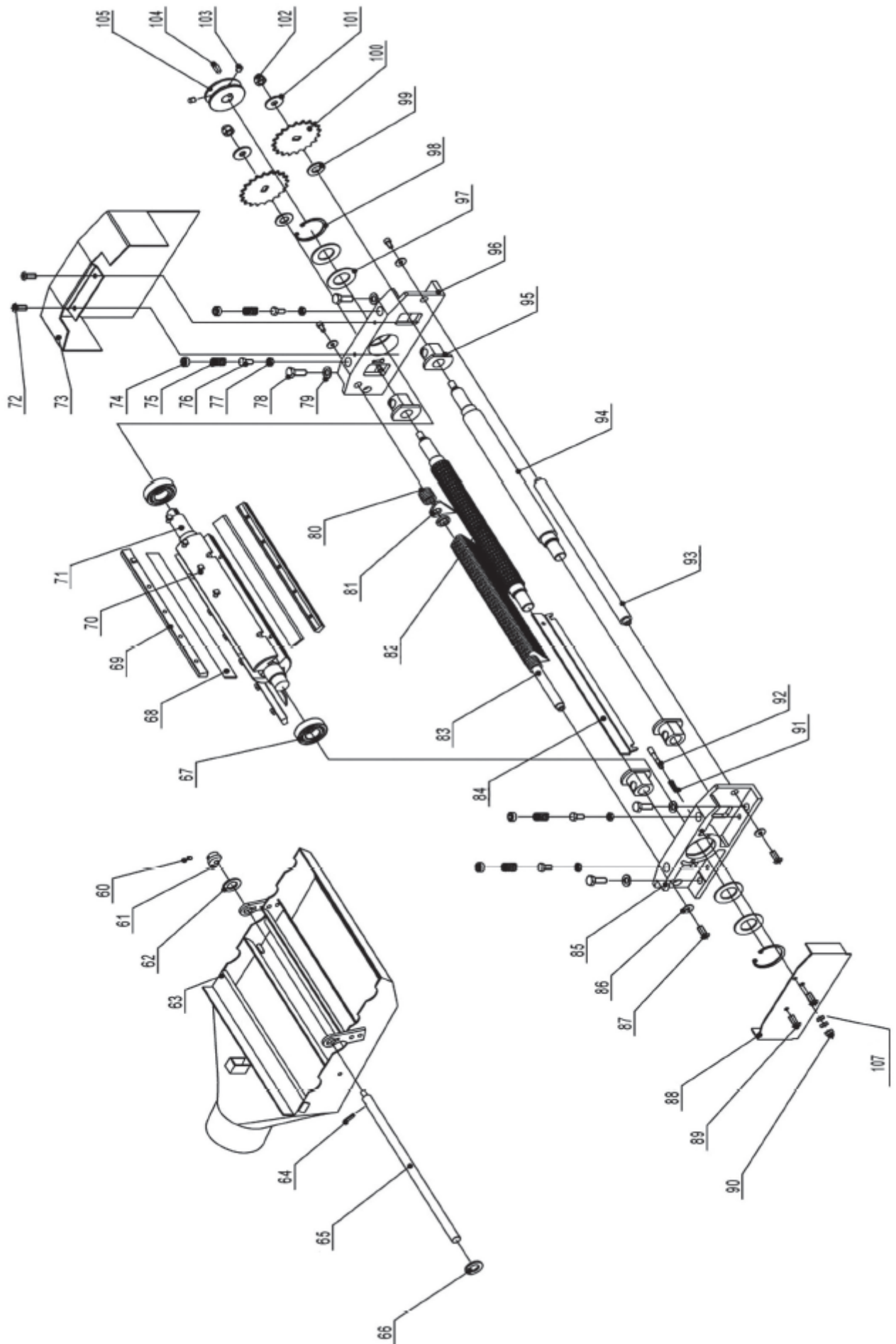
Cutter Block Guard and Outfeed Table Assembly



Parts List: Cutter Block Guard and Outfeed Table Assembly

Nº	Part Nº	Description	Size	Qty
3	JPT310-003	Outfeed table bracket shaft		1
5	JPT260- 005	Hex. Socket cap screw	M8X75	2
7	JPT260- 007	Outfeed table		1
8	JPT310-008	Cutterblock guard assembly		1
10	JPT310-010	Hex. Socket cap screw	M6X30	2
20	JPT310-020	Table locking shaft		2
21	JPT310-021	Hex. Nut	M12	2
25	JPT310-025	Hex. Bolt	M8X30	6
26	JPT310-026	Washer	M8	6
27	JPT310-027	Outfeed table support		2
31	JPT310- 031	Big cam wheel for safty switch		1
32	JPT310-032	Hex. Socket set screw	M5X10	1
33	JPT260- 033	Cutterblock guard profilew/ plastic end covers		1
34	JPT310-034	Grub Screws	M8	4

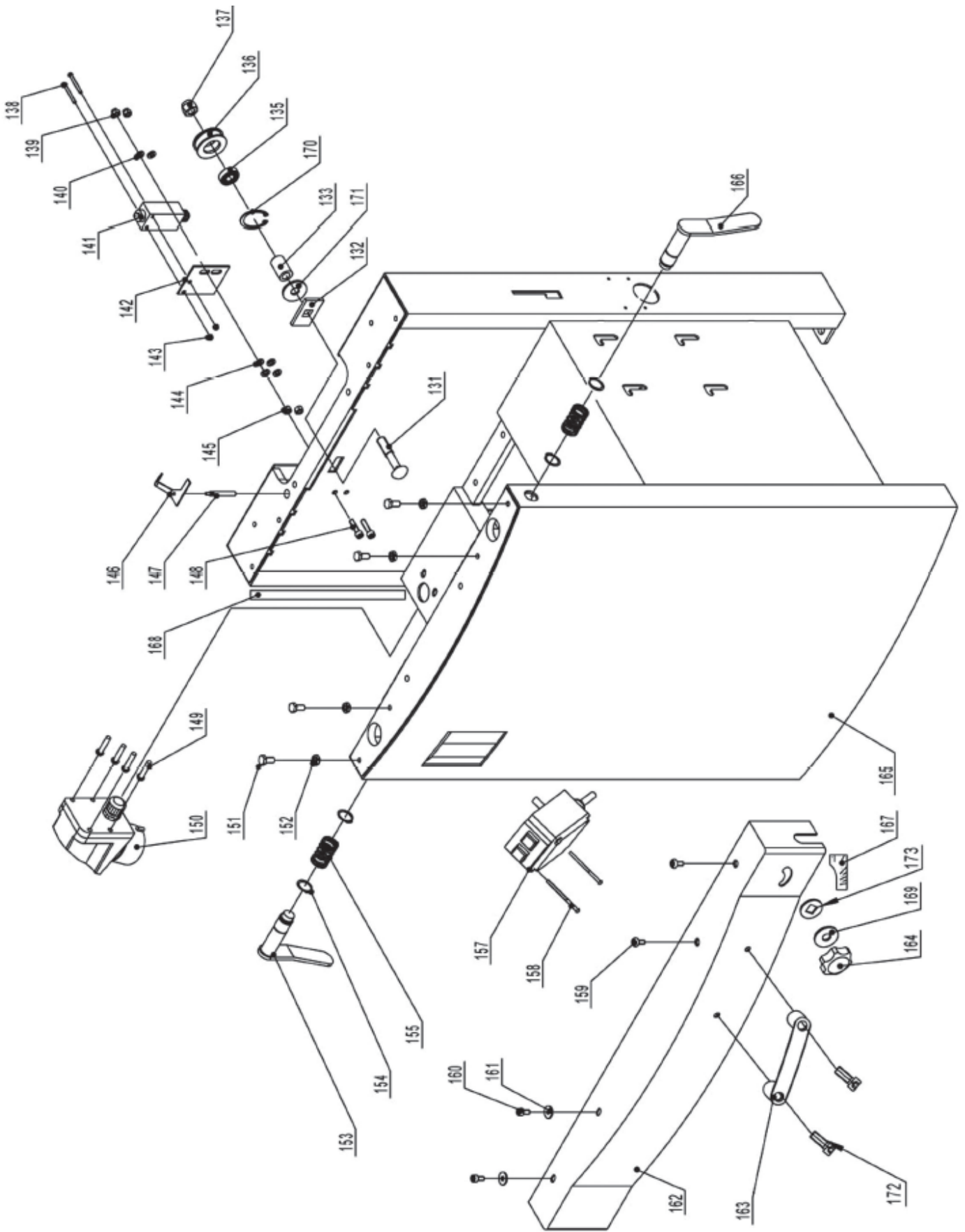
Cutter Block Assembly



Parts List: Cutter Block Assembly

Nº	Part Nº	Description	Size	Qty
60	JPT310-032	Hex. Socket set screw	M5X10	1
61	JPT310-061	Small cam wheel for safty switch		1
62	JPT310- 062	Washer	H16	2
63	JPT260- 063	Dust collector assembly		1
64	JPT310-064	Pin roll	N5X18	1
65	JPT260- 065	Shaft		1
66	JPT310- 066	Washer	H16	2
67	JPT310-067	Bearing BRG6205-ZZCM		2
68	JPT260- 068	Knife		3
69	JPT260- 069	Knife locking bar		3
70	JPT310-070	Special screw for locking bar		15
71	JPT260- 071	Cutter block		1
72	JPT310-072	Pan head screw	M6X12	4
73	JPT310-073	Belt cover		1
74	JPT310- 074	Screw		4
75	JPT310- 075	Spring		4
76	JPT310-076	Hex. bolt	M8X16	4
77	JPT310-077	Hex. nut	M8	4
78	JPT310-078	Hex. bolt	M10X25	4
79	JPT310- 079	Washer	H10	4
80	JPT310-080	Adjusting washer		48
81	JPT310-081	Anti-kickback finger		38
82	JPT260- 082	Infeed roller		1
83	JPT260-083	Anti-kickback shaft		1
84	JPT260- 084	Cutterblock cover		1
85	JPT310-085	Cutterblock bracket-right		1
86	JPT310- 086	Washer	M6	4
87	JPT310-087	Hex. Socket cap screw	M6X12	4
88	JPT310-088	Cutterblock bracket cover		1
89	JPT310-089	Pan head screw	M6X12	2
90	JPT310-090	Cap nut	M6	1
91	JPT310- 091	Spring		1
92	JPT310-092	Pin stop for Dust collector		1
93	JPT260- 093	Support rod		1
94	JPT260- 094	Outfeed roller		1
95	JPT310- 095	Tube		4
96	JPT310-096	Cutterblock bracket-left		1
97	JPT310-097	Wave washer	D52	2
98	JPT310-098	Retaining ring	CLP52	2
99	JPT310- 099	Washer		2
100	JPT310- 100	Drive chain sprocket		1
101	JPT310- 101	Washer	WSH10	2
102	JPT310- 102	Lock nut	M10	2
103	JPT260- 103	Hex. Socket set screw	M8X6	2
104	JPT310- 104	Key	PLN6X16	1
105	JPT260- 105	Spindle pulley		1
106	JPT260- 106	Washer	D52	2
107	JPT260- 107	Nut	M6	2

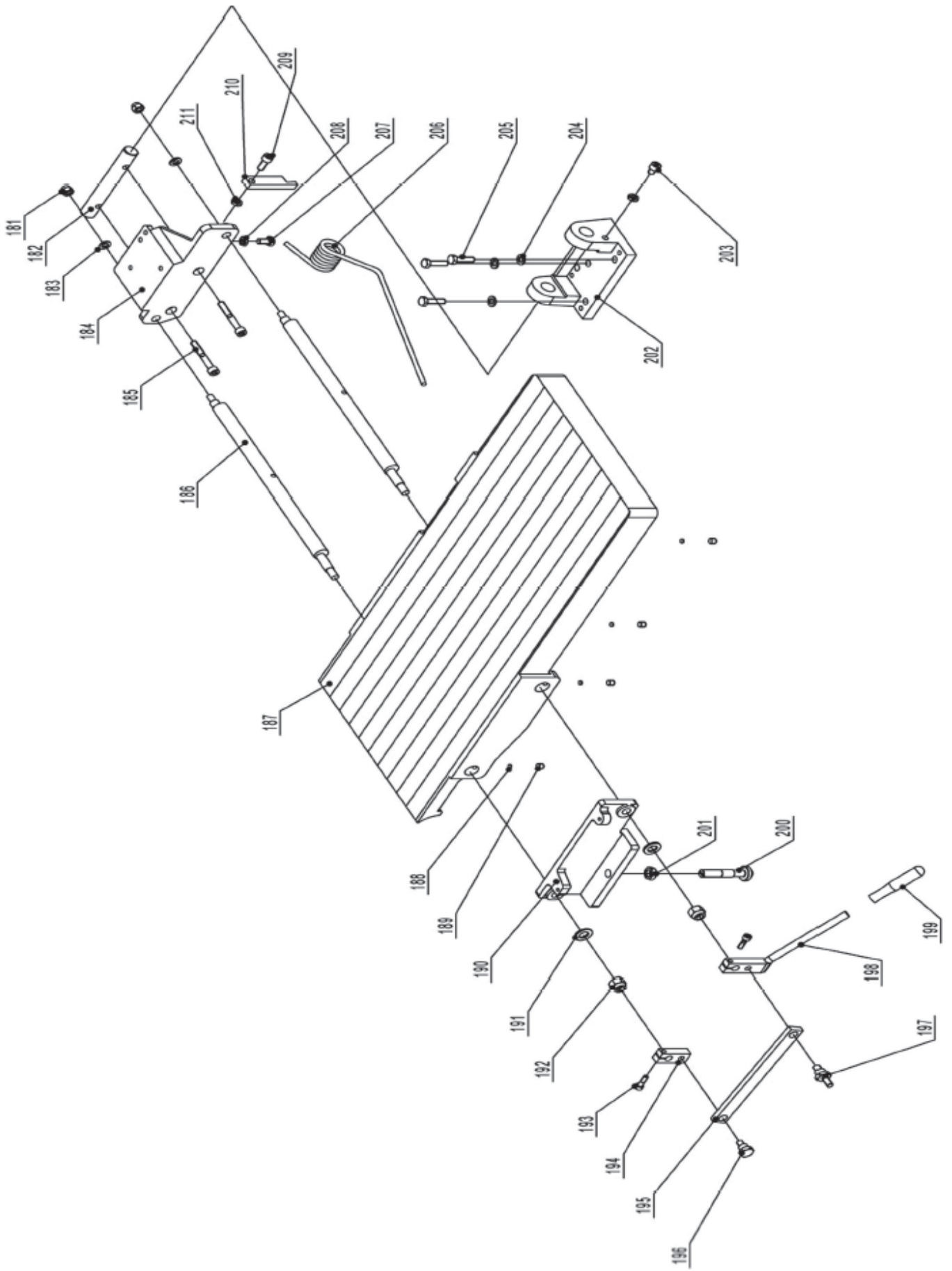
Base Assembly



Parts List: Base Assembly

Nº	Part Nº	Description	Size	Qty
131.....	JPT310- 131	Carriage bolt	N12X65	1
132.....	JPT310- 132	Square washer		1
133.....	JPT310- 133	Tube		1
135.....	JPT310- 135	Bearing.....	BRG80101	1
136.....	JPT310- 136	Chain wheel		1
137.....	JPT310- 137	Lock nut	M12	1
138.....	JPT310- 138	Pan head screw	M4X35	2
139.....	JPT310- 139	Lock nut	M6	2
140.....	JPT310- 140	Washer.....	H6	10
141.....	JPT310- 141	Safety switch.....		1
142.....	JPT310- 142	Safety switch bracket		1
143.....	JPT310- 143	Lock nut	M4	2
144.....	JPT310- 144	Washer.....	H6	4
145.....	JPT310- 145	Hex. Nut.....	M6	2
146.....	JPT310- 146	Safety switch rocker		1
147.....	JPT310- 147	Safety switch rocker shaft		1
148.....	JPT310- 148	Hex. Socket cap screw	M6X25.....	2
149.....	JPT310- 149	Pan head screw	M4X16.....	4
150.....	JPT310- 150E	Plug 230/50/1		1
JPT310- 150AE		Plug 400/50/1		1
151.....	JPT310- 151	Special bolt		4
152.....	JPT310- 152	Hex. nut	M8	4
153.....	JPT310- 153	Lock handle for outfeed table.....		1
154.....	JPT310- 154	Retaining ring	CLP20	4
155.....	JPT310- 155	Spring		2
156.....	JPT260- 156	Direction label		1
157.....	JPT310- 157E	Switch 230/50(60)/1		1
.....	JPT310- 157AE	Switch 400/50/1		1
158.....	JPT310- 158	Pan head screw	N4X60	2
159.....	JPT310- 159	Pan head screw	M6X16.....	2
160.....	JPT310- 160	Pan head screw	M6X12.....	2
161.....	JPT310- 161	Washer.....	H6	7
162.....	JPT260- 162	Front cover		1
163.....	JPT260- 163	Handle.....		1
164.....	JPT310- 164	Lock knob		4
165.....	JPT260- 165	Cabinet.....		1
166.....	JPT310- 166	Lock handle for infeed table.....		1
167.....	JPT310- 167	Infeed scale		1
168.....	JPT310- 168	Thickness scale		1
169.....	JPT310- 169	Washer.....	H8	2
170.....	JPT310- 170	Retaining ring.....		1
171.....	JPT310- 171	Washer.....	H12.....	1
172.....	JPT310- 172	Hex socket head screw	M8x20	2
377.....	JPT310- 377	Plastic wahser.....		1

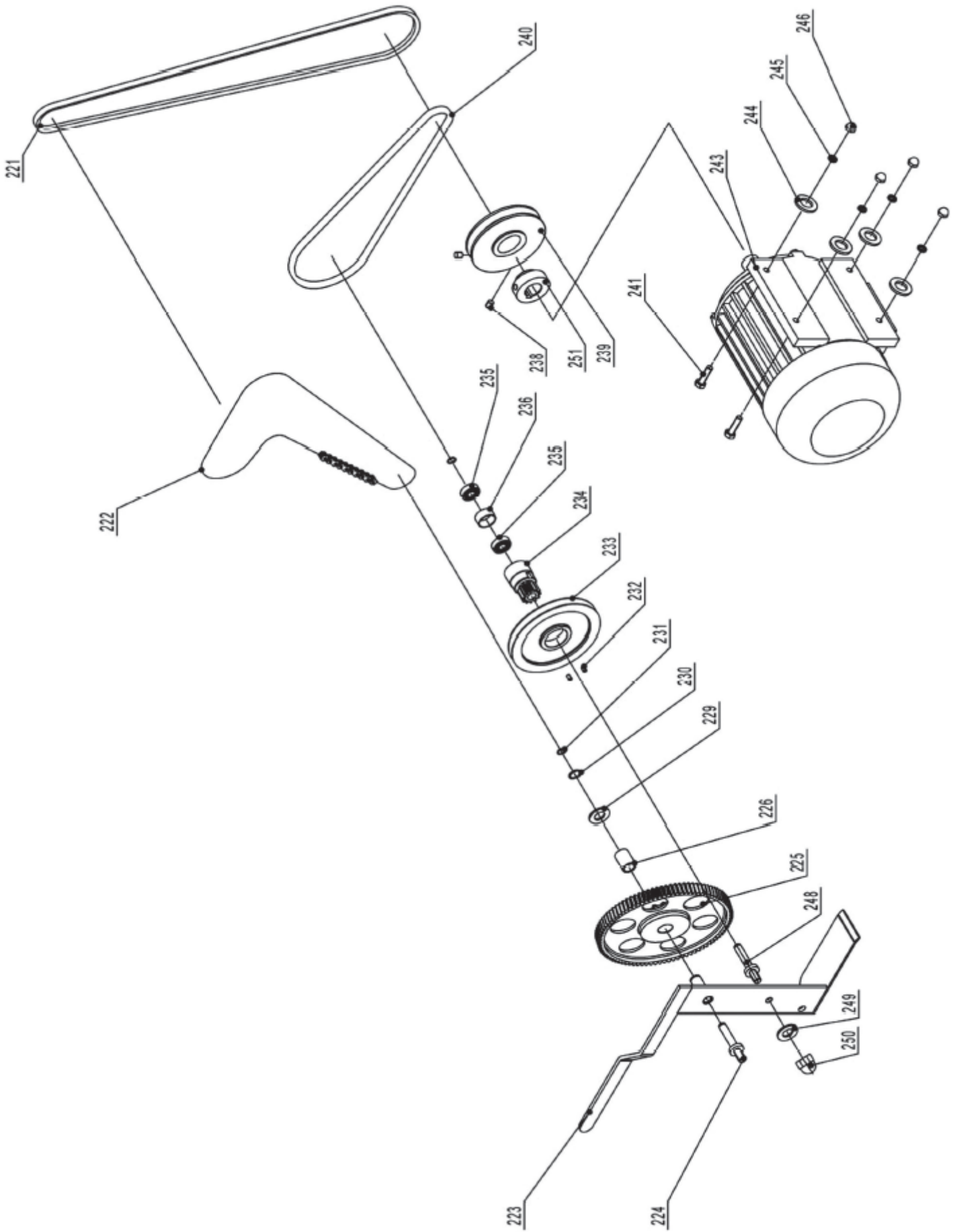
Infeed Table Assembly



Parts List: Infeed Table Assembly

Nº	Part Nº	Description	Size	Qty
181.....	JPT310-181	Lock nut	M8	2
182.....	JPT310-182	Outfeed table bracket shaft		1
183.....	JPT310-183	Washer.....		2
184.....	JPT310-184	Infeed table bracket right.....		1
185.....	JPT310-185	Hex. Socket cap screw	M8X75.....	2
186.....	JPT260-186	Eccentric shaft		2
187.....	JPT260-187	Infeed table		1
188.....	JPT310-188	Plastic disc	D6	4
189.....	JPT310-189	Hex socket set screw	M8X10.....	4
190.....	JPT310-190	Infeed table bracket left.....		1
191.....	JPT310-191	Washer.....	H12.....	2
192.....	JPT310-192	Lock nut	M12	2
193.....	JPT310-193	Hex. Socket cap screw	M6X20.....	4
194.....	JPT310-194	Eccentric shaft clamp.....		1
195.....	JPT310-195	Eccentric shaft bracket.....		1
196.....	JPT310-196	Special screw		1
197.....	JPT310-197	Special screw		1
198.....	JPT310-198	Adjusting handle.....		1
199.....	JPT310-199	Knob		1
200.....	JPT310-200	Table locking shaft		1
201.....	JPT310-201	Hex. Nut.....	M12	1
202.....	JPT310-202	Infeed table support.....		2
203.....	JPT310-203	Hex. Socket cap screw	M8X16.....	1
204.....	JPT310-204	Washer.....	H8	3
205.....	JPT310-205	Hex. Bolt	M8X30.....	3
206.....	JPT310-206	Spring		1
207.....	JPT310-207	Hex. bolt.....	M8X16.....	1
208.....	JPT310-208	Hex. nut	M8	1
209.....	JPT310-209	Hex. Socket cap screw	M8X40.....	1
210.....	JPT310-210	Table stopper		1
211.....	JPT310-211	Hex. Nut.....	M8	1

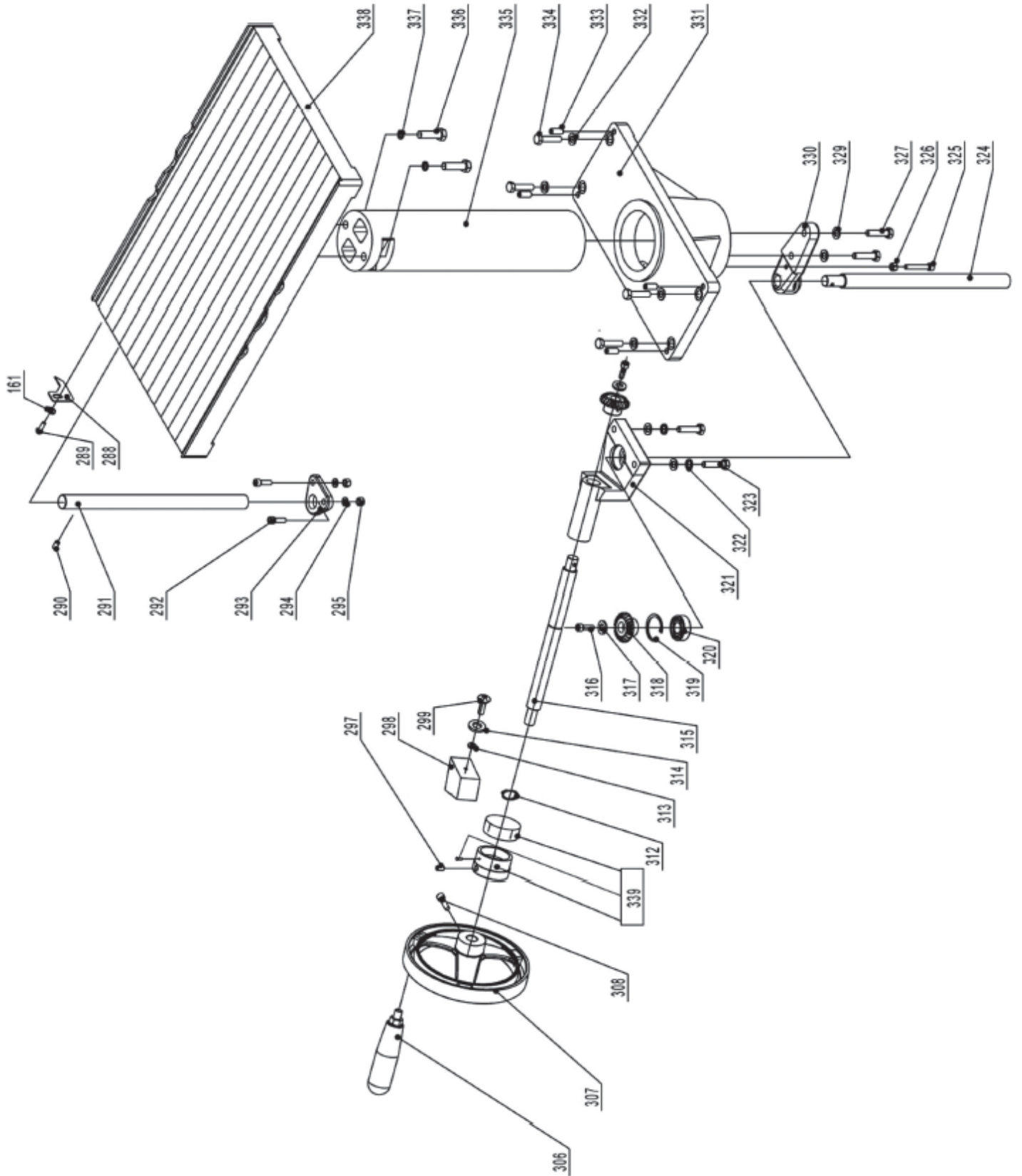
Drive And Motor Assembly



Parts List: Drive And Motor Assembly

Nº	Part Nº	Description	Size	Qty
221.....	JPT260-221	V-belt for cutterblock 50Hz	Z1200	1
.....	JPT260- 221SAE ...	V-belt for cutterblock 60Hz	1
222.....	JPT310-222	Drive chain.....	1
223.....	JPT310-223	Cam wheel bracket.....	1
224.....	JPT310-224	Cam wheel shaft	1
225.....	JPT310-225A	Cam wheel.....	1
226.....	JPT310-226	Tube	1
229.....	JPT310-229	Washer.....	1
230.....	JPT310-230	Retaining ring.....	CLP15	1
231.....	JPT310-231	Retaining ring.....	CLP10	2
232.....	JPT310-232	Hex. Socket set screw.....	M5X10.....	2
233.....	JPT260-233	V-belt pulley for feed roller	1
234.....	JPT310-234	Cam wheel.....	1
235.....	JPT310-235	Bearing.....	BRG80100	2
236.....	JPT310-236	Spacer bearing	1
238.....	JPT260-238	Hex. Socket set screw.....	M8X12.....	2
239.....	JPT260- 239	Big motor pulley 50Hz	1
.....	JPT260- 239SAE ...	Big motor pulley 60Hz	1
340.....	JPT260-240	Flat belt for feed roller	1
241.....	JPT310-241	Hex. Bolt	M8X25.....	4
243.....	JPT260-243E	Motor 230/50/1	1
.....	JPT260-243SAE	Motor 230/60/1	1
.....	JPT260-243AE	Motor 400/50/3	1
244.....	JPT310-244	Washer.....	H8	4
245.....	JPT310-245	Spring washer	H8	4
246.....	JPT310-246	Cap hex. Nut.....	M8	4
247.....	JPT260-247	Capacitor 230/50/1 (not show)	1
.....	JPT260- 247	Capacitor 230/60/1 (not show)	1
248.....	JPT310-248.....	Shaft.....	1
249.....	JPT310-249	Spring washer	H10.....	1
250.....	JPT310-250	Hex nut	M10	1
251.....	JPT260- 251	Small motor pulley 50Hz	1

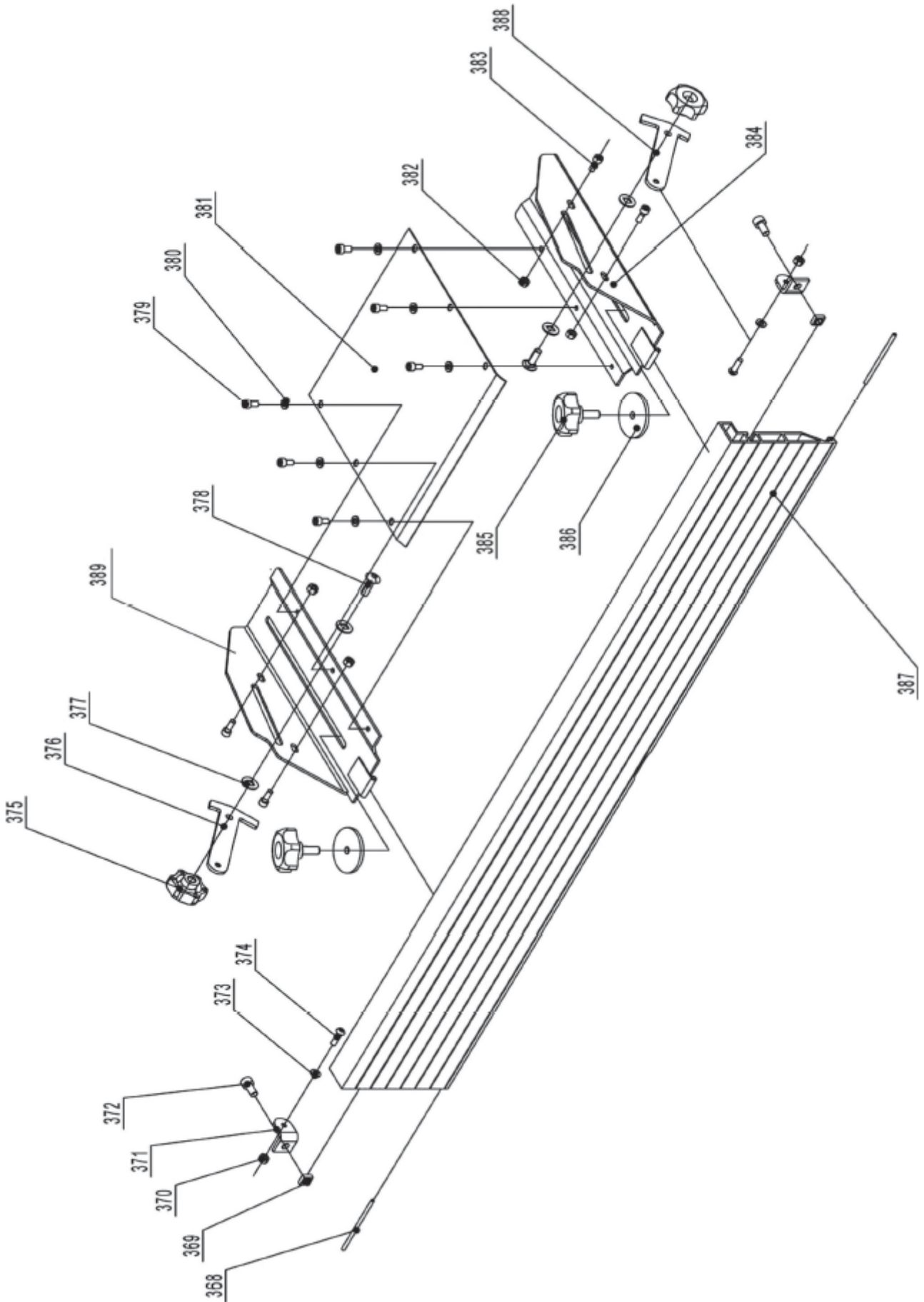
Thickness Table Assembly



Parts List: Thickness Table Assembly

Nº	Part Nº	Description	Size	Qty
288	JPT310- 288	Indicator		1
289	JPT310- 289	Screw		1
290	JPT310-290	Hex. Socket set screw	M6X12	1
291	JPT310-291	Thickness table guide bar	M8X12	1
292	JPT310-292	Hex. Socket cap screw		2
293	JPT310-293	Guide bar bracket	M6X20	1
294	JPT310- 294	Washer		2
295	JPT310-295	Hex. Nut	H6	2
297	JPT310- 297	Hex socket set screw	M6	1
298	JPT310-298	Indicator seat	M8x12	1
299	JPT310- 299	Screw		1
306	JPT310-306	Crank handle	M6X20	1
307	JPT260- 307	Crank handwheel		1
308	JPT310-308	Hex. Socket cap screw		1
312	JPT310-312	Retaining ring	M6X20	1
313	JPT310-313	Retaining ring	CLP20	1
314	JPT310- 314	Washer	CLP35	1
315	JPT310- 315	Crank bar		1
316	JPT310- 316	Pan head screw		2
317	JPT310- 317	Washer	M6X12	2
318	JPT310-318	Bevel gear	M6	1
319	JPT310-319	Retaining ring		1
320	JPT310- 320	Bearing	CLP35	1
321	JPT310-321	Bevel gear bracket	BRG80202	1
322	JPT310- 322	Washer		8
323	JPT310-323	Hex. bolt	H8	8
324	JPT310-324	Thread rod	M8X35	1
325	JPT310- 325	Hex. bolt		1
326	JPT310-326	Hex. nut	M6X40	1
327	JPT310-327	Hex. bolt	M6	2
329	JPT310- 329	Washer	M8x35	2
330	JPT310-330	Thread rod bracket	H8	1
331	JPT260- 331	Column support		1
332	JPT310- 332	Washer		4
333	JPT310-333	Hex. Socket set screw		5
334	JPT310- 334	Screw	M8X20	4
335	JPT310- 335	Column		1
336	JPT310-336	Hex. bolt		2
337	JPT310-337	Spring washer	M10X35	2
338	JPT260-338	Thickness table	H10	1
339	JPT310-339	Scale ring assembly		1

Working Fence Assembly



Parts List: Working Fence Assembly

Nº	Part Nº	Description	Size	Qty
368.....	JPT310-368	Pin for hinge.....		1
369.....	JPT310-369	Square nut.....	M8	2
370.....	JPT310-370	Lock nut	M6	6
371.....	JPT310-371	Fence mounting bracket.....		2
372.....	JPT310-372	Hex. bolt.....	M8X16.....	2
373.....	JPT310-373	Washer.....		2
374.....	JPT310-374	Hex. Socket cap screw	M6X16.....	2
375.....	JPT310-375	Lock knob		2
376.....	JPT310-376	Fence support-right		1
377.....	JPT310-377	Nylon washer		10
378.....	JPT310-378	Carriage bolt	M8X25.....	2
379.....	JPT310-379	Pan head screw	M6X12.....	6
380.....	JPT310-380	Washer.....	H6	6
381.....	JPT310-381	Cutterblock cover		1
382.....	JPT310-382	Lock nut	M6	4
383.....	JPT310-383	Hex. Socket cap screw	M6X12.....	4
384.....	JPT310-384	Fence bracket-left		1
385.....	JPT260-385	Lock handle.....		2
386.....	JPT310-386	Special washer		2
387.....	JPT260-387	Fence		1
388.....	JPT310-388	Fence support-left		1
389.....	JPT310-389	Fence bracket-right		1
390.....	JPT260- 390	Fence scale		1
391.....	JPT260- 391	Complete fence assembly(368-390).....		1

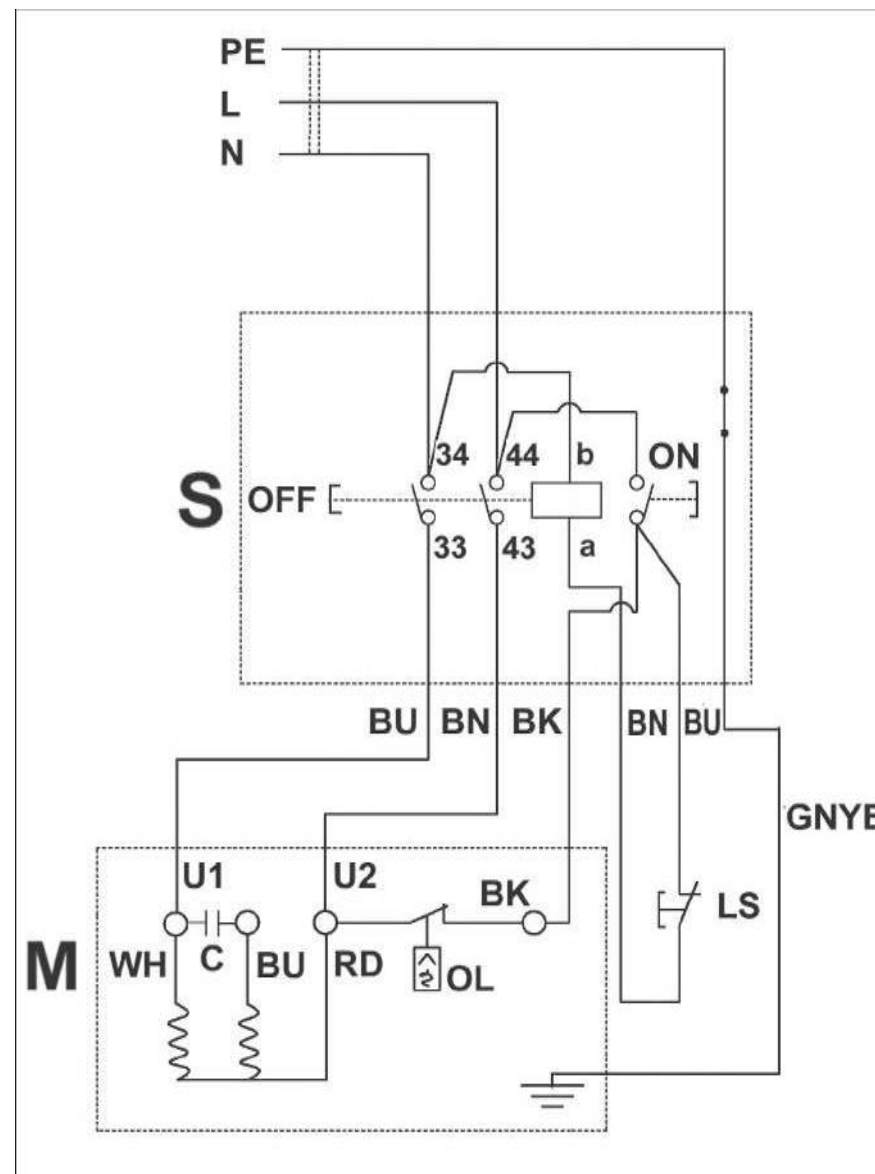
JPT-260

10000289M

	colour of strands	Litzenfarben	Цвет провода
BK	black	schwarz	Черный
WH	white	weiß	Белый
BU	blue	blau	Голубой
YE	yellow	gelb	Желтый
RD	red	rot	Красный
BN	brown	braun	Коричневый
GY	grey	grau	Серый
GNYE	green-yellow	grün-gelb	Зелено-желтый
OG	orange	orange	Оранжевый
VT	violet	violett	Фиолетовый

	meaning of symbol	Bedeutung der Zeichen	Обозначение
M	motor	Motor	Двигатель
S	switch	Schalter	Выключатель
C	condenser	Kondensator	Конденсатор
E	electronic unit	Elektronik Einheit	Контактор
F	fuse	Sicherung	Предохранитель
RS	reversing switch	Drehrichtungsschalter	Переключатель полярности
CS	centrifugal switch	Fliehkraftschalter	Центробежный выключатель
OL	overload cut-off	Oberlastschuttschalter	Защита от перегрузки
LS	limit switch	Positionsendschalter	Концевой выключатель

230/50/1



JPT-260

10000289T

	colour of strands	Litzenfarben	Цвет провода
BK	black	schwarz	Черный
WH	white	weiß	Белый
BU	blue	blau	Голубой
YE	yellow	gelb	Желтый
RD	red	rot	Красный
BN	brown	braun	Коричневый
GY	grey	grau	Серый
GNYE	green-yellow	grün-gelb	Зелено-желтый
OG	orange	orange	Оранжевый
VT	violet	violett	Фиолетовый

	meaning of symbol	Bedeutung der Zeichen	Обозначение
M	motor	Motor	Двигатель
S	switch	Schalter	Выключатель
C	condenser	Kondensator	Конденсатор
E	electronic unit	Elektronik Einheit	Контактор
F	fuse	Sicherung	Предохранитель
RS	reversing switch	Drehrichtungsschalter	Переключатель полярности
CS	centrifugal switch	Fliehkraftschalter	Центробежный выключатель
OL	overload cut-off	Oberlastschuttschalter	Защита от перегрузки
LS	limit switch	Positionsendschalter	Концевой выключатель

400/50/3

